

InfoCounter

Parkes
display&expo

Eyecatching counter display system

The Info Counter provides a striking graphic display along with a counter and literature holder

Features & Benefits

- ✓ *Stylish teardrop counter design shown with flag post*
- ✓ *Built in A4 size leaflet holder*
- ✓ *Packed flat, easy to transport and assemble*
- ✓ *Cable port/iPad counter top and carry bags available*



Hardware Specifications

Counter Size:
1010 (h) x 1010 (w) x 655mm (d)
Load Bearing up to 75kg
Weight: 14kg

Flag Specifications

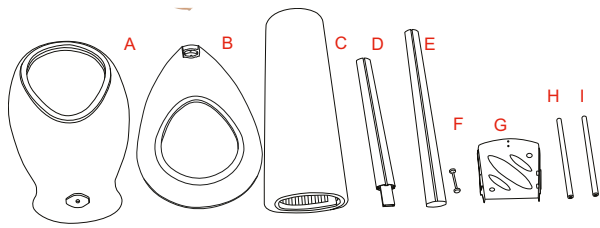
Flag Size: 1500 (h) 500mm (w)

Additional Options

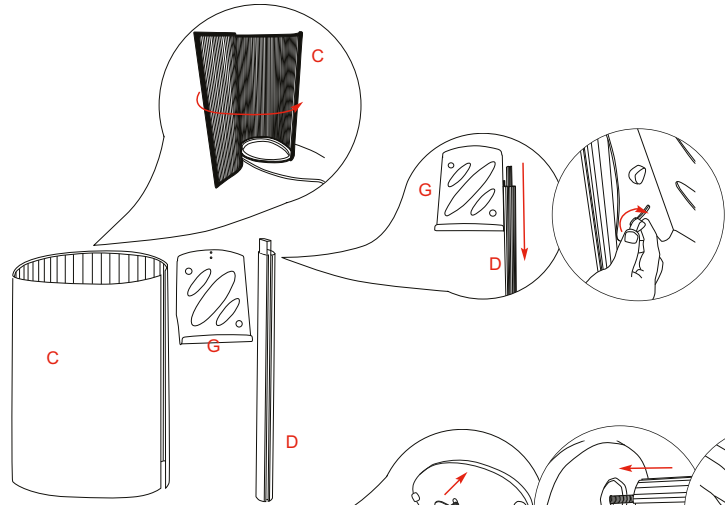
Call our sales team on 01768 603930
and tell us what you need

Assembly Instructions

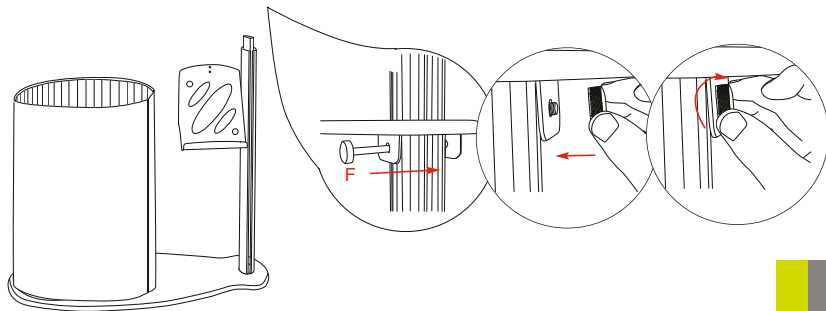
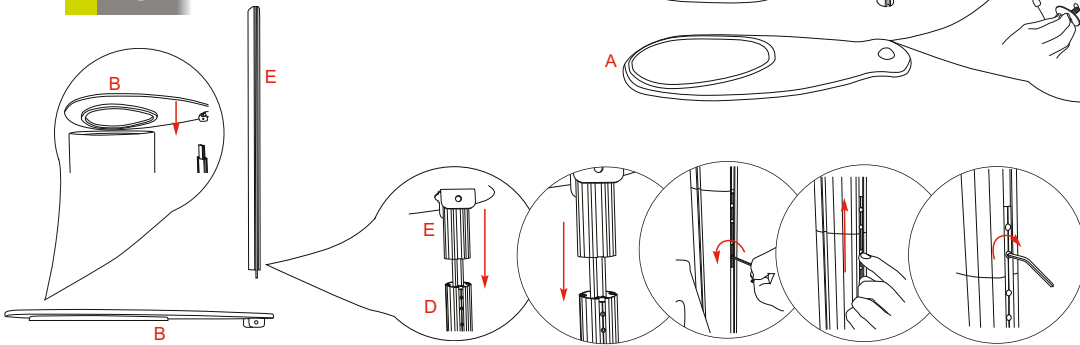
1



2



3



4

