



CounterCurve

Exhibition grade counter system that can be reconfigured multiple times in an array of shapes and sizes



Parkes
01767 603930

Print | parkesprintgroup.com
Gifts | parkespromo.com
Expo | parkesexpo.com




CounterCurve


exhibition grade counters





A high profile true exhibition grade counter system that can be reconfigured multiple times in an array of shapes and sizes.


Assembly in 8 easy steps


- 


1 Tool free assembly using counter clamps
- 


2 Easily connects to form the counter
- 

3 Attach the table top to the section
- 

4 Connect the base of the next module
- 

5 Attach posts and place the next table top
- 

6 Decide what you require for your event
- 

7 Add shelves if required
- 

8 Magnetically attach graphics to the front

CounterCurve features

- ✓ **High profile** true exhibition grade counter
- ✓ **Assembly fast**, simple and tool-free
- ✓ **Robust metal** structure & durable for weight bearing
- ✓ **Optional LED lights** on table top and base
- ✓ **Great storage capacity** with optional shelving
- ✓ **Graphics interchangeable**
- ✓ **Modular & reconfigurable** for different events



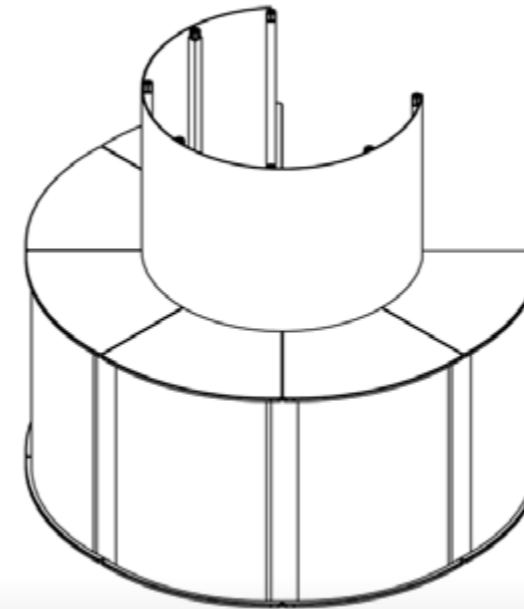
Arrange the CounterCurve to the shape that will suit your display best, the choice is yours.



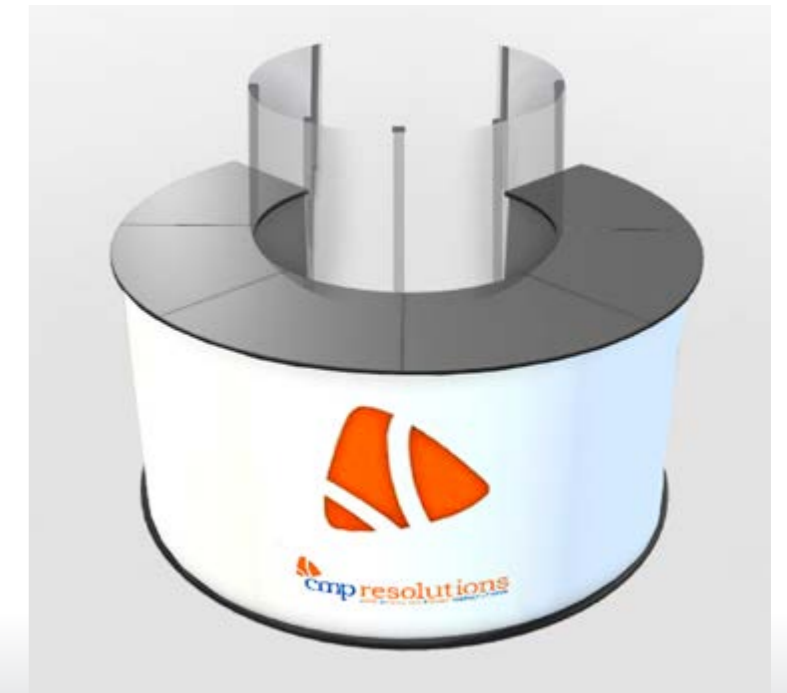
DSV six bay radius counters linked together



Optional Internal Shelving



Concept framework



CMP six bay counters creating a focal point

Bayer 10m x 4m
At Excel

Exhibiting
Made Smarter



"Just an email to let you know we were very pleased with our stand and it was so much more professional and striking than what we have had in the past, compliments from competitors too!"

Bayer 8m x 3m
At 3 Counties Showground, Malvern

Exhibiting
Made Smarter



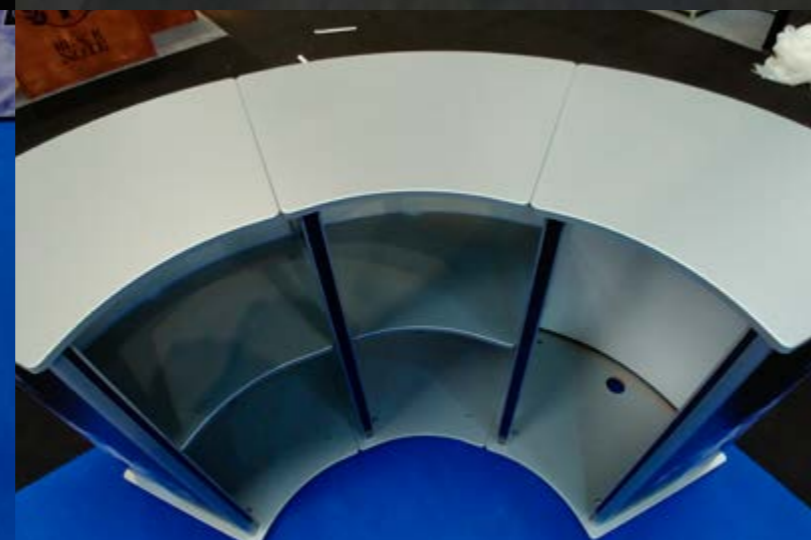
The **FlexiCurve** and **CounterCurve** shown on these pages is the identical modular kit and graphics, but laid out differently!





Puffing Billy 6m x 3m
At Excel

Exhibiting
Made Smarter



"Our stand was just perfect and it was a good show for us! The attention grabbing backwall with the illuminated window boxes worked really well in drawing people onto our stand. We loved the counters - they gave us plenty of storage space as well as providing an excellent approach to the stand from both directions. An great way to welcome clients and prospects!"

"We're really pleased with the CounterCurve, we've had lots of comments and it has proved to be excellent value as we've now been using it for four years and have even used it in marquees. We may need to redo the graphics for our next stand."

DSV
CounterCurve At Cereals

Exhibiting
**Made
Smarter**





Agriton 7m x 6m
At DairyTech, Stoneleigh Park

Exhibiting
**Made
Smarter**



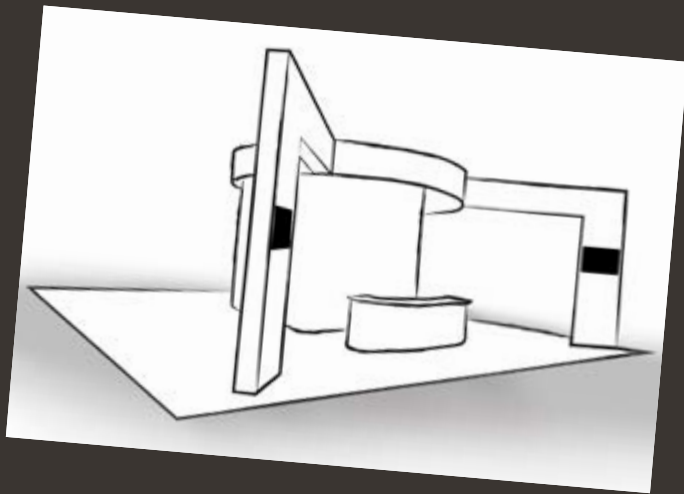
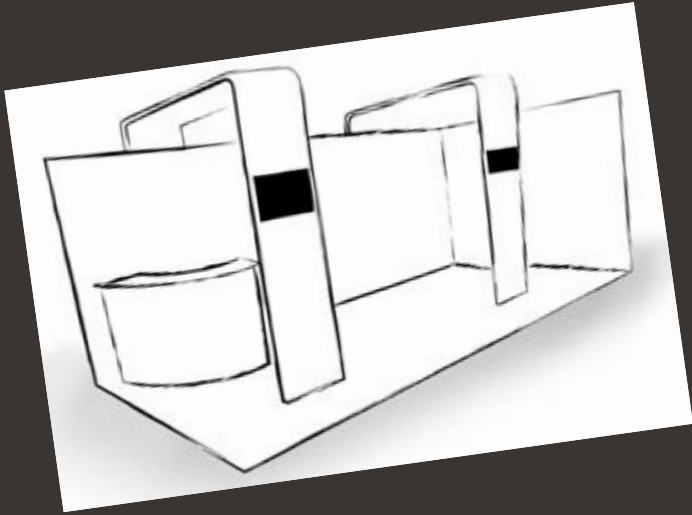
"We had a lot of compliments and a colleague company Oliver seeds should be contacting you as they want a new stand!"



towards a sustaina

How We Work

Send Us a Sketch!



We'll transform your sketch into a presentation and put together a quote

Then when you have confirmed the project...

We will provide graphic panel plans for your designer or you're welcome to use our design team

Self building? We'll supply you with build drawings or you're welcome to use our installation team

Make a smart decision and call us now for a **FREE** demonstration



Exhibit **Smarter**



Inspiring **Design**



Quick & Easy