

The Zebrafinch features a low profile top and bottom rail that is invisible from the front, giving a seamless graphic appearance.

**Features & Benefits**

- ✓ Stable cast base foot
- ✓ Anodised silver finish
- ✓ Portable, lightweight and quick to assemble
- ✓ No tools required
- ✓ Sizes available: 800mm (w) x 2000mm (h)
- ✓ Special package discount for multiple quantities
- ✓ Full design and artwork enhancement service available

**Hardware Specifications**

Assembled dimensions: 800 (w) x 2000 (h)

Weight: 2kg



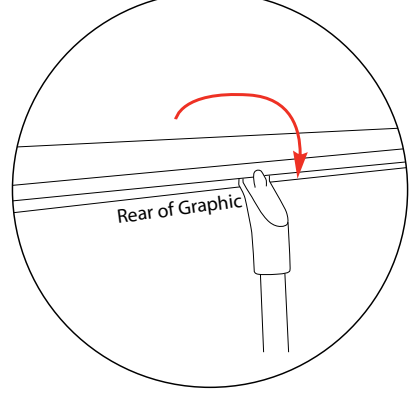
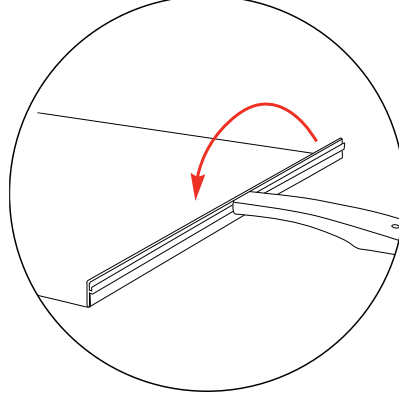
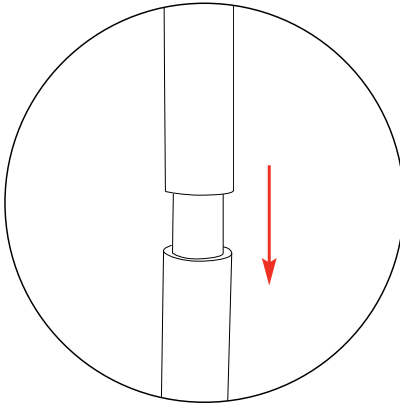
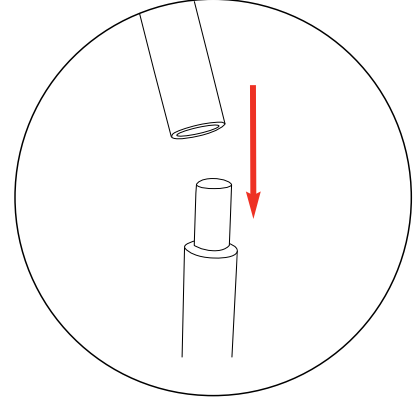
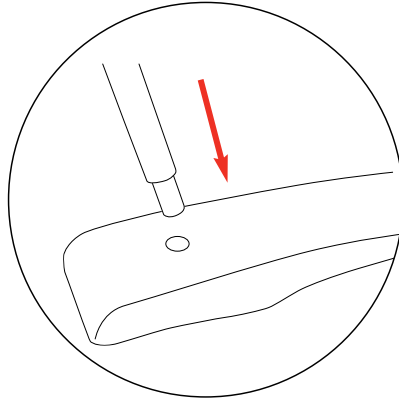
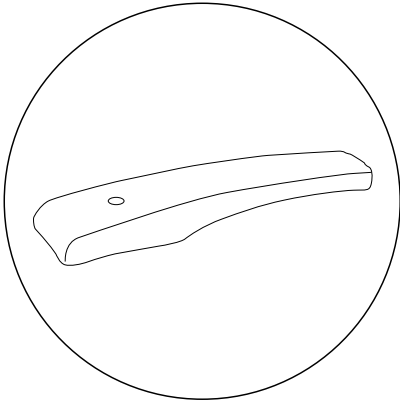
Ask us for your copy of The Display Book, Promotional Gifts Catalogue, Exhibition Tips and Print Brochure, all packed with ideas to help you promote your company.

Call 01767 603930 or email sales@parkesprintgroup.com

We are continually improving and modifying our product range and reserve the right to vary the specifications without prior notice. All dimensions and weights quoted are approximate and we accept no responsibility for variance. E&OE.



Assembly



Other customers have bought these products to communicate their sales message



Design & Print | Exhibition & Display

POS | Brochures | Mailers | Catalogues | Posters | Folders | Corporate Stationery | Labels | Inserts | Promotional Gifts

Let your marketing print & display take flight



Parkes Print & Design | 41 Hitchin Street | Biggleswade | Beds | SG18 8BE  
T: 01767 603930 | E: sales@parkesprintgroup.com | W: www.parkesprintanddesign.com