

An economy roller banner with designer base and bungee pole. Lightweight compact and complete with a twist-out foot for extra stability.



### Features & Benefits

- ✓ Funky shape base with lightweight components
- ✓ Portable, lightweight and quick to assemble
- ✓ No tools required
- ✓ Twist-out stabilising foot for extra stability
- ✓ Available in 800 or 1000mm widths
- ✓ Anodised silver with black end-plates
- ✓ Packs into free carry bag for storage & transportation
- ✓ Special package discount for multiple quantities
- ✓ Full design and artwork enhancement service available

### Hardware Specifications

Hardware Dimensions:  
 2110 (h) x 830 (w) x 445mm (d)  
 2110 (h) x 1030 (w) x 445mm (d)  
 (Depth dimension refers to twist out foot)

Weight:  
 800mm - 3kg 1000mm - 3.4kg

**We're here to help**

Need help with the design...  
 Call 01767 603930



We are continually improving and modifying our product range and reserve the right to vary the specifications without prior notice. All dimensions and weights quoted are approximate and we accept no responsibility for variance. E&OE.





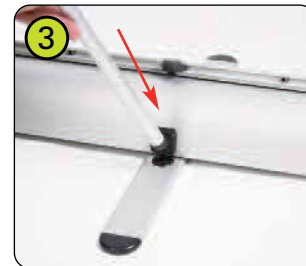
Kit includes: Top rail, base, bungee pole set and carry bag



1 Assemble the bungee pole set.



2 Open out the stabilising foot.



3 Fit the bungee pole into the stabilising foot.



4 Lift the top rail to raise the graphic from the base.



5 Lean the banner stand backwards and continue to extend the graphic.



6 Secure the top rail cup onto the bungee pole.

**Your**  
communications  
partner  
**inprint**

Other customers have bought these products to communicate their sales message





An economy roller banner with designer base and bungee pole. Lightweight compact and complete with a twist-out foot for extra stability.

### Features & Benefits

- ✓ Ideal for carrying on plane or train
- ✓ Portable, extremely lightweight and quick to assemble
- ✓ No tools required
- ✓ Twist-out stabilising foot for extra stability
- ✓ Size available:  
1680 (h) x 615 (w) x 295mm (d)
- ✓ Anodised silver with black end-plates
- ✓ Packs into free carry bag for storage & transportation
- ✓ Special package discount for multiple quantities
- ✓ Full design and artwork enhancement service available

### Hardware Specifications

Hardware Dimensions:

1680 (h) x 615 (w) x 295mm (d)  
(Depth dimension refers to twist out foot)

Weight: 2.9kg approx.

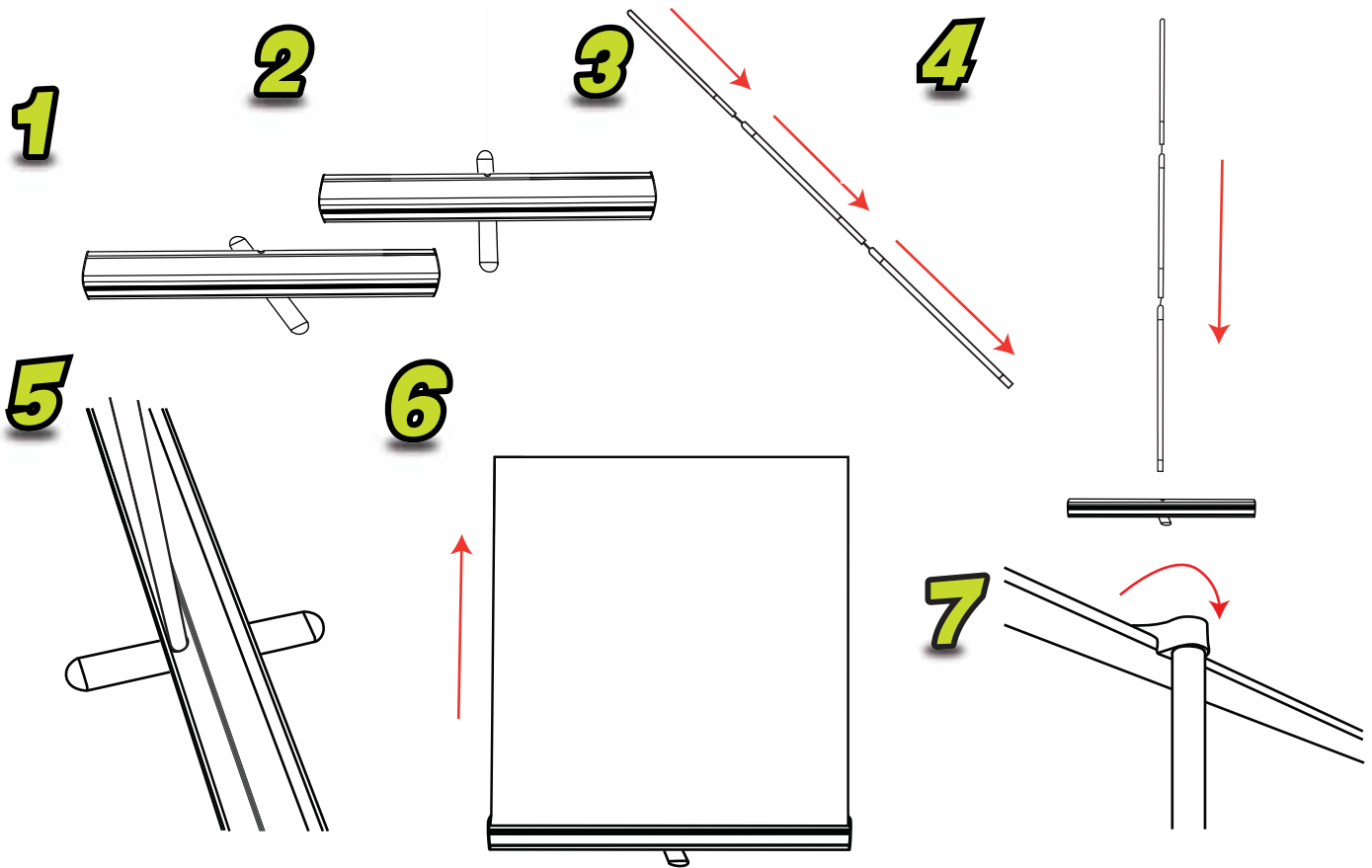


Ask us for your copy of The Display Book, Promotional Gifts Catalogue, Exhibition Tips and Print Brochure, all packed with ideas to help you promote your company.

Call **01767 603930** or email [sales@parkesprintgroup.com](mailto:sales@parkesprintgroup.com)

We are continually improving and modifying our product range and reserve the right to vary the specifications without prior notice. All dimensions and weights quoted are approximate and we accept no responsibility for variance. E&OE.





Other customers have bought these products to communicate their sales message



Design & Print | Exhibition & Display | POS | Brochures | Mailers | Catalogues | Posters | Folders | Corporate Stationery | Labels | Inserts | Promotional Gifts

Let your marketing print & display take flight



Parkes Print & Design | 41 Hitchin Street | Biggleswade | Beds | SG18 8BE  
T: 01767 603930 | E: sales@parkesprintgroup.com | W: www.parkesprintanddesign.com