



### Features & Benefits

- ✓ Comes with scuff/scratch resistant protective coating making it more durable
- ✓ Portable, lightweight and quick to assemble
- ✓ No tools required
- ✓ Twin twist out feet for extra stability
- ✓ Available in four sizes: 800/850/1000/1500mm
- ✓ Packs into free carry bag for storage and transportation
- ✓ Special package discount for multiple quantities
- ✓ Full design and artwork enhancement service available

### Hardware Specifications

Overall assembled dimensions (mm):  
2000 (h) x 800/850/1000/1500mm (w)

Weight: 800 - 3.1kg 850 - 3.3kg 1000 - 3.5kg  
1500 - 5.0kg



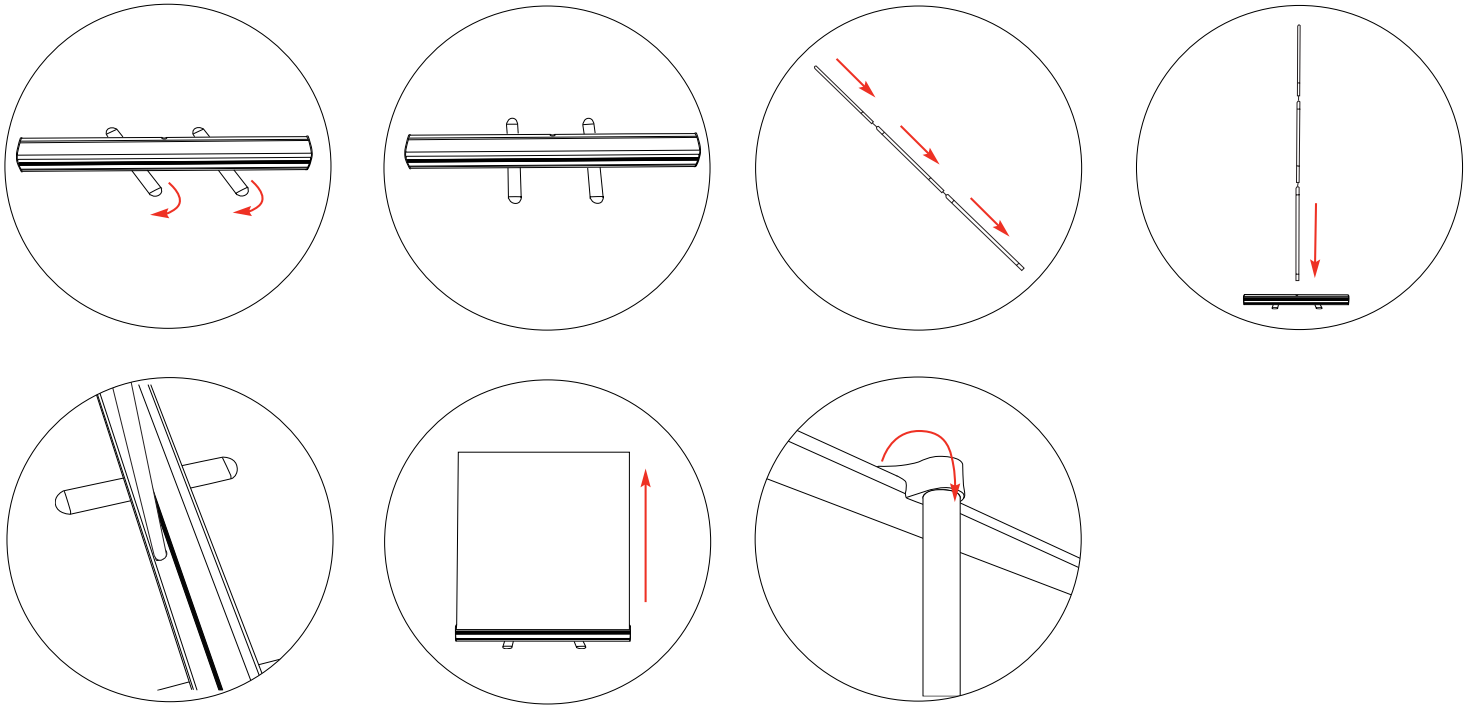
Ask us for your copy of The Display Book, Promotional Gifts Catalogue, Exhibition Tips and Print Brochure, all packed with ideas to help you promote your company.

Call **01767 603930** or email **sales@parkesprintgroup.com**

We are continually improving and modifying our product range and reserve the right to vary the specifications without prior notice. All dimensions and weights quoted are approximate and we accept no responsibility for variance. E&OE.



Assembly



Other customers have bought these products to communicate their sales message



Design & Print | Exhibition & Display

POS | Brochures | Mailers | Catalogues | Posters | Folders | Corporate Stationery | Labels | Inserts | Promotional Gifts

Let your marketing  
print & display take flight



Parkes Print & Design | 41 Hitchin Street | Biggleswade | Beds | SG18 8BE  
T: 01767 603930 | E: [sales@parkesprintgroup.com](mailto:sales@parkesprintgroup.com) | W: [www.parkesprintanddesign.com](http://www.parkesprintanddesign.com)