

The Kiwi roller banner stands are a sleek but great value banner stand with single or double sided graphics.



### Features & Benefits

- ✓ Popular stylish roller banner in a variety of widths
  - ✓ Hidden hardware as the front-loading graphic pulls up from the front of the base giving your message floor to rail visibility
  - ✓ Available with double sided graphics
  - ✓ Portable, lightweight and quick to assemble
  - ✓ No tools required
  - ✓ Adjustable feet – ideal for levelling on uneven surfaces.
- Sizes available: 2110 (h) x 800 (w) x 185mm (d)  
2110 (h) x 1000 (w) x 185mm (d)
- ✓ Other sizes available - please call us
  - ✓ Lights available to further enhance your display
  - ✓ Packs into free carry bag for storage and transportation
  - ✓ Special package discount for multiple quantities
  - ✓ Full design and artwork enhancement service available

### Hardware Specifications

Overall assembled dimensions (mm):

2110 (h) x 800 (w) x 185mm (d)

2110 (h) x 1000 (w) x 185mm (d)

Weight: 5.5kg



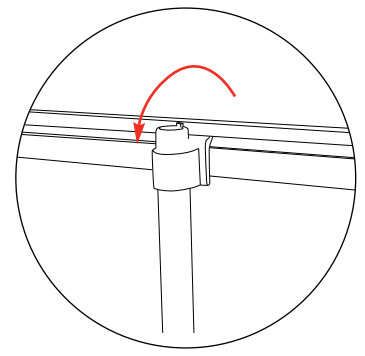
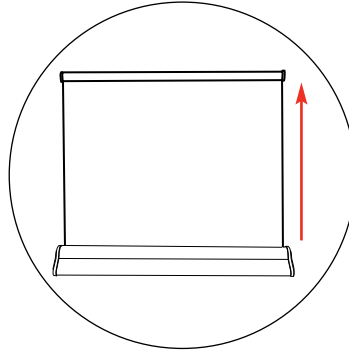
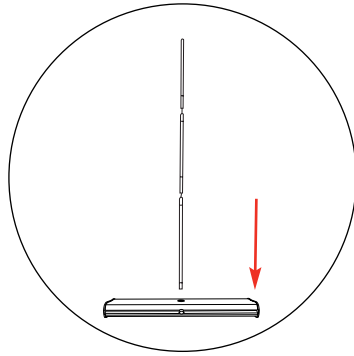
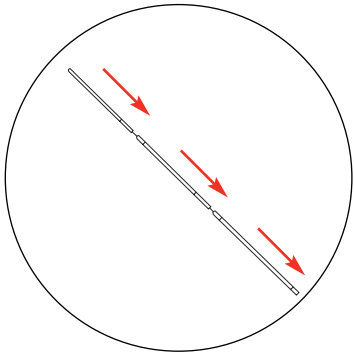
Ask us for your copy of The Display Book, Promotional Gifts Catalogue, Exhibition Tips and Print Brochure, all packed with ideas to help you promote your company.

Call **01767 603930** or email **sales@parkesprintgroup.com**

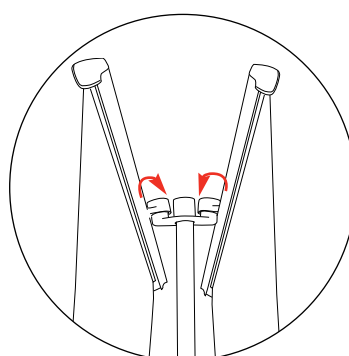
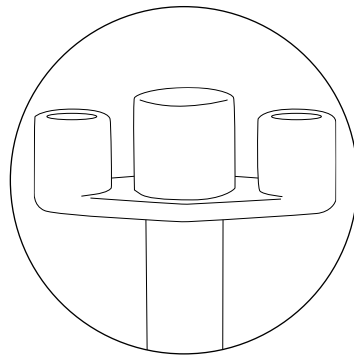
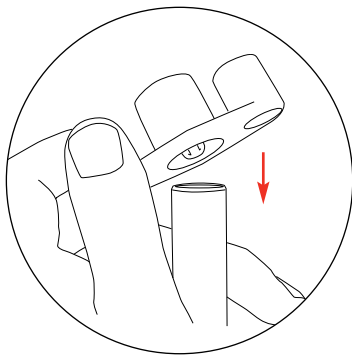
We are continually improving and modifying our product range and reserve the right to vary the specifications without prior notice. All dimensions and weights quoted are approximate and we accept no responsibility for variance. E&OE.



Assembly



Double sided only



Other customers have bought these products to communicate their sales message



Design & Print | Exhibition & Display

POS | Brochures | Mailers | Catalogues | Posters | Folders | Corporate Stationery | Labels | Inserts | Promotional Gifts

Let your marketing print & display take flight



Parkes Print & Design | 41 Hitchin Street | Biggleswade | Beds | SG18 8BE  
T: 01767 603930 | E: sales@parkesprintgroup.com | W: www.parkesprintanddesign.com