

The Extra Wide Portable Display made to Custom Sizes



Features & Benefits

- ✓ Hard wearing model
- ✓ Accessories available making the display more versatile and useful
- ✓ Portable, lightweight and quick to assemble
- ✓ No tools required
- ✓ Stock widths available: 800, 1000, 1500 and 2000
- ✓ Custom sizes also made - tell us what you need!
- ✓ Adjustable base - ideal for leveling on uneven surfaces
- ✓ Option for graphics both sides - ask for quote
- ✓ Packs into free carry bag for storage & transportation
- ✓ Special package discount for multiple quantities
- ✓ Full design and artwork enhancement service available

Hardware Specifications

Overall assembled dimensions (mm):

- 800 (w) x 2145mm (h)
- 1000 (w) x 2145mm (h)
- 1500 (w) x 2145mm (h)
- 2000 (w) x 2145mm (h) and many more

Optional Extras

Literature holder enables you to display your brochures and product information.
 Tabletop provides an ideal platform for drinks and other small display items.
 Other accessories are available - Please ask.



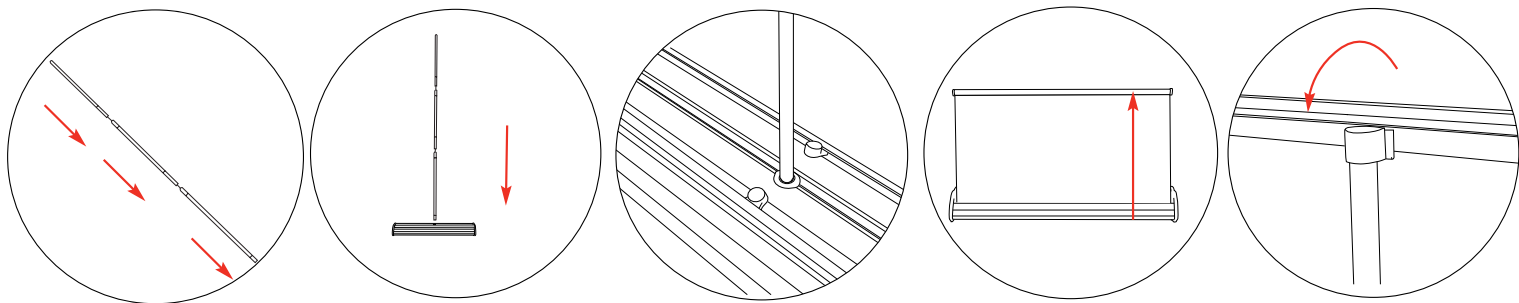
Ask us for your copy of The Display Book, Promotional Gifts Catalogue, Exhibition Tips and Print Brochure, all packed with ideas to help you promote your company.

Call 01767 603930 or email sales@parkesprintgroup.com

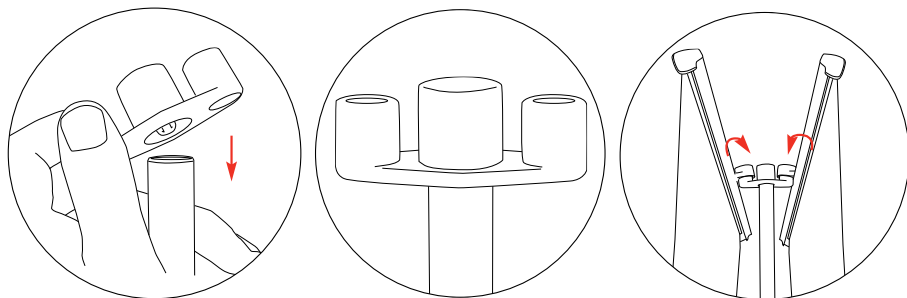
We are continually improving and modifying our product range and reserve the right to vary the specifications without prior notice. All dimensions and weights quoted are approximate and we accept no responsibility for variance. E&OE.



Assembly



Double sided only



Need help with the artwork?
Would your files benefit from our studio enhancement?
Call 01767 603930 for a quote

Ask us for your copy of The Display Book, Promotional Gifts Catalogue, Exhibition Tips and Print Brochure, all packed with ideas to help you promote your company.

Call **01767 603930**
 or email sales@parkesprintgroup.com

Other customers have bought these products to communicate their sales message



Design & Print | Exhibition & Display | POS | Brochures | Mailers | Catalogues | Posters | Folders | Corporate Stationery | Labels | Inserts | Promotional Gifts

Let your marketing print & display take flight



Parkes Print & Design | 41 Hitchin Street | Biggleswade | Beds | SG18 8BE
 T: 01767 603930 | E: sales@parkesprintgroup.com | W: www.parkesprintanddesign.com